



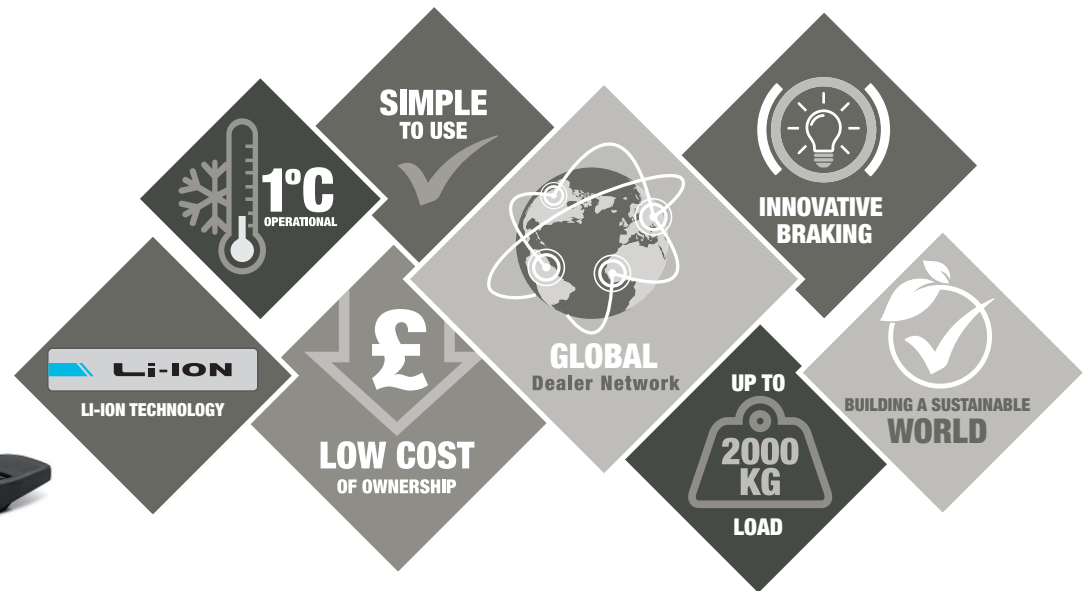
PPL20-Q1



TCM Lite Range, streamlined for greater efficiencies and a more sustainable world, without compromising design and engineering excellence.

**Easy to use, simple to maintain.
NO FUSS, NO WASTE.**

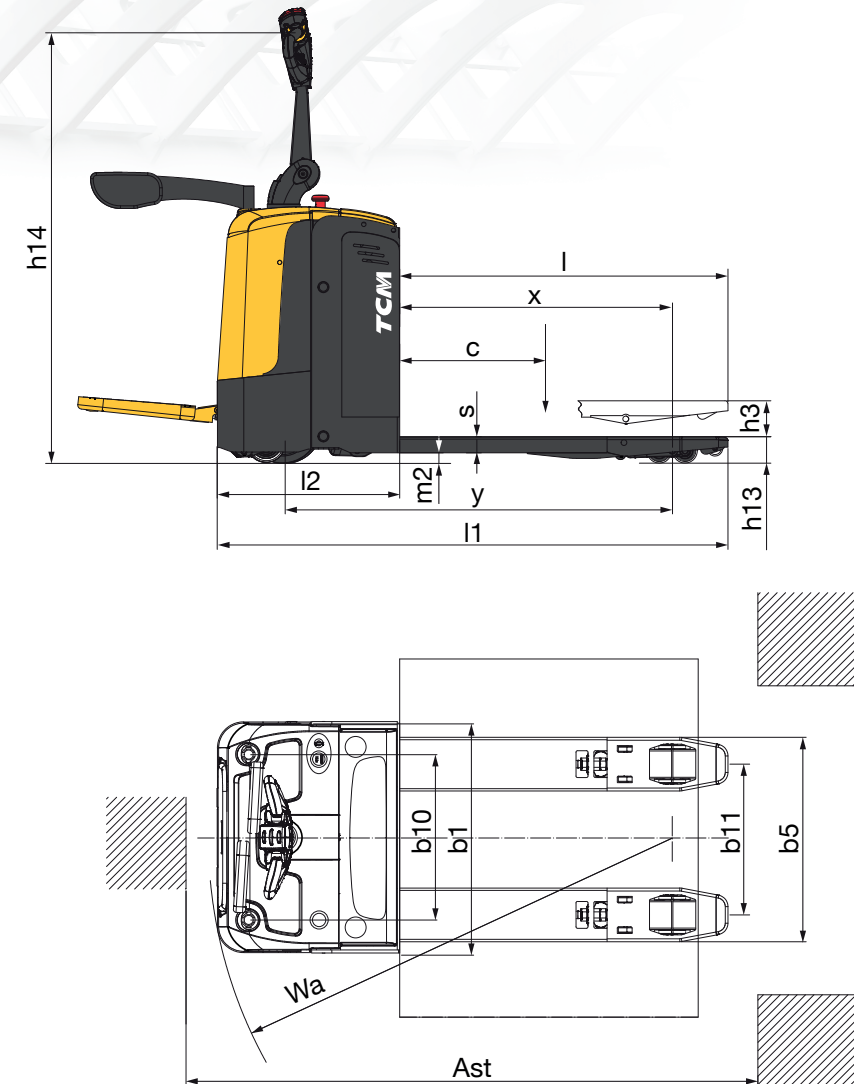
TCM PPL20-Q1 with **robust** body and frame, side castor wheels and a **low maintenance** AC drive motor, is built for stability and durability with minimal maintenance. The high capacity, high power **Li-ION battery** is long-lasting reducing downtime, with swift 'plug and go' charging. A full battery exchange is simple to complete and a spare battery can be charged externally to maintain continuous use. The foldable platform, fork tips tapered for accuracy, creep speed function, efficient, regenerative braking systems and battery status indicator, all ensure the operator stays confidently in control. An **ergonomic tiller head** for strain free operation and spring-loaded steering tiller further enhance operator comfort. The battery heating system allows operation in colder environments down to 1°C.



STANDARD SPECIFICATIONS PRELIMINARY

CHARACTERISTICS				
1.1	Manufacturer			TCM
1.2	Manufacturer's model designation			PPL20-Q1
1.3	Power source			Battery
1.4	Operator type			Pedestrian / stand-on
1.5	Load capacity	Q	kg	2000
1.6	Load center distance	c	(mm)	600
1.8	Load wheel axle to fork face (forks lowered)	x	(mm)	964
1.9	Wheelbase	y	(mm)	1261
WEIGHT				
2.1a	Truck weight without load, with maximum battery weight		kg	710
2.2	Axle loadings with nominal load & maximum battery weight, drive / load side		kg	1300 / 1410
2.3	Axle loadings without load & with maximum battery weight, drive / load side		kg	600 / 110
WHEELS, DRIVE TRAIN				
3.1	Tyres: PT = Power Thane, Vul = Vulkollan, P = Polyurethane, N = Nylon, R = Rubber drive / load side			P / P
3.2	Tyre dimensions, drive side		(mm)	250 x 80
3.3	Tyre dimensions, load side		(mm)	82 x 126 (Single) 82 x 988 (Tandem)
3.4	Castor wheel dimensions (diameter x width)		(mm)	127 x 57
3.5	Number of wheels, load / drive side (x = driven)			1x + 2 / 2 (4)
3.6	Track width (center of tyres), drive side	b10	(mm)	537
3.7	Track width (center of tyres), load side	b11	(mm)	340 / 370 / 470 / 505
DIMENSIONS				
4.4	Lift height	h3	(mm)	120
4.9	Height of tiller arm / steering console (min./max.)	h14	(mm)	1050 / 1450
4.15	Fork height, fully lowered	h13	(mm)	82
4.19	Overall length	l1	(mm)	1760
4.2	Length to fork face	l2	(mm)	610 / 1072
4.21	Overall width	b1 / b2	(mm)	775
4.22	Fork dimensions (thickness, width, length)	s / e / l	(mm)	54 / 180 / 1150
4.25	Outside width over forks (minimum / maximum)	b5	(mm)	520 / 550 / 650 / 685
4.32	Ground clearance at center of wheelbase, (forks lowered)	m2	(mm)	28
4.33c	Working aisle width (Ast) with 1000 x 1200 mm pallets, load crosswise, platform up/down	Ast	(mm)	1960 / 2422
4.34c	Working aisle width (Ast) with 800 x 1200 mm pallets, load lengthwise, platform up/down	Ast	(mm)	2010 / 2472
4.35	Turning radius	Wa	(mm)	1600
PERFORMANCE				
5.1	Travel speed, with / without load		km / h	7 / 7.1
5.2	Lifting speed, with / without load		m / s	0.025 / 0.035
5.3	Lowering speed, with / without load		m / s	0.035 / 0.030
5.8	Maximum gradeability with / without load		%	8 / 20
5.10	Service brakes (mechanical / hydraulic / electric / pneumatic)			Electric
ELECTRIC MOTORS				
6.1	Drive motor capacity (60 min. short duty)		kW	1.5
6.2	Lift motor output at 15% duty factor		kW	1.2
6.4	Battery voltage/capacity at 5-hour discharge		V / Ah	24 / 125
6.5	Battery weight		kg	60
MISCELLANEOUS				
8.1	Type of drive control			Stepless
10.7.1	Level of noise at the ear level of the driver according to EN 12 053:2001 and EN ISO 4871, in work LpAZ		dB (A)	70
10.7.2	Whole-body vibration (EN 13 059:2002)			Refer to instruction manual
10.7.3	Hand-arm vibration (EN 13 059:2002)			Refer to instruction manual

DIMENSIONS PPL20-Q1



tcm.eu

Mitsubishi Logisnext Europe BV reserves the right to make any changes without notice concerning colours, equipment or specifications detailed in this brochure, or to discontinue individual models. The colours of vehicles delivered may differ slightly from those in this brochure. The specifications vary for different countries depending on local market conditions. Please consult your local dealer to ensure that the vehicle delivered accords with your expectations. All values are determined based on the standard condition and may vary, due to motor and system tolerances, condition of the truck and operational conditions. Some equipment shown on photos are optional. WEST2427-0124

OPTIONS

Skid runner welded to the forks - for a maintenance free, easier entry to and exit from a pallet
Pallet entry and exit rollers - for easiest entry to and exit from a pallet
Battery trolley (twin battery station) - for even swifter battery exchange
PIN CODE password protection - for additional security