

Compact Pedestrian Stacker with Double Pallet Handling



TCM

PSL12I-Q1



TCM Lite Range, streamlined for greater efficiencies and a more sustainable world, without compromising design and engineering excellence.

**Easy to use, simple to maintain.
NO FUSS, NO WASTE.**

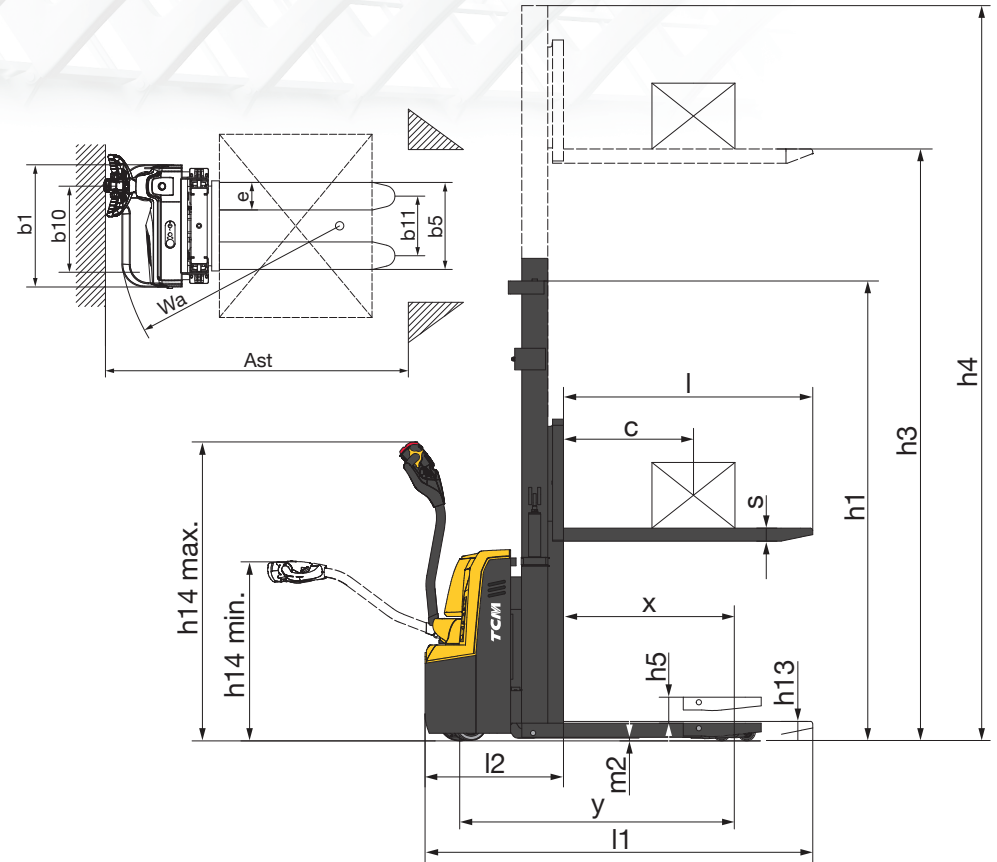
TCM PSL12I-Q1 with a **robust**, stable frame and body, is compact and small with exceptional manoeuvrability in narrow and tight spaces. A **low maintenance** AC drive motor makes light work of double pallet handling, with **initial lift** increasing ground clearance for ramps, dock levellers and bridges. The high capacity, high power 24V **Li-ION battery** is long-lasting reducing down time, with swift 'plug and go' charging and **integrated charger** for charging anywhere. A spring-loaded steering tiller with **ergonomic tiller head** for strain-free operation enhances operator comfort. The electromagnetic braking systems, **duplex mast** for excellent visibility at different heights up to 3.3 m, creep speed function and battery status indicator, all ensure the operator stays confidently in control.



STANDARD SPECIFICATIONS PRELIMINARY

CHARACTERISTICS				
1.1	Manufacturer			TCM
1.2	Manufacturer's model designation			PSL12I-Q1
1.3	Power source			Battery
1.4	Operator type			Pedestrian
1.5	Load capacity	Q	kg	1200
1.6	Load center distance	c	(mm)	600
1.8	Load wheel axle to fork face (forks lowered)	x	(mm)	788
1.9	Wheelbase	y	(mm)	1268
WEIGHT				
2.1b	Truck weight without load, with maximum battery weight		kg	675 / 740 / 760 / 775
2.2	Axle loadings with nominal load & maximum battery weight, drive / load side		kg	822 / 1158
2.3	Axle loadings without load & with maximum battery weight, drive / load side		kg	240 / 540
WHEELS, DRIVE TRAIN				
3.1	Tyres: PT = Power Thane, Vul = Vulkollan, P = Polyurethane, N = Nylon, R = Rubber drive / load side			P / P
3.2	Tyre dimensions, drive side		(mm)	195 x 70
3.3	Tyre dimensions, load side		(mm)	80 x 70
3.4	Castor wheel dimensions (diameter x width)	ø	(mm)	150 x 60
3.5	Number of wheels, load / drive side (x = driven)			1x + 1 / 4
3.6	Track width (center of tyres), drive side	b10	(mm)	523
3.7	Track width (center of tyres), load side	b11	(mm)	390
DIMENSIONS				
4.2	Height with mast lowered	h1	(mm)	1872 / 2122 / 2272
4.4	Lift height	h3	(mm)	2500 / 3000 / 3300
4.5	Height with mast extended	h4	(mm)	3092 / 3592 / 3892
4.6	Initial lift	h5	(mm)	120
4.9	Height of tiller arm / steering console (min./max.)	h14	(mm)	670 / 1300
4.15	Fork height, fully lowered	h13	(mm)	90
4.19	Overall length	l1	(mm)	1789
4.2	Length to fork face	l2	(mm)	639
4.21	Overall width	b1	(mm)	800
4.22	Fork dimensions (thickness, width, length)	s / e / l	(mm)	60 / 180 / 1150
4.25	Outside width over forks (minimum / maximum)	b5	(mm)	570
4.32	Ground clearance at center of wheelbase, (forks lowered)	m2	(mm)	17
4.33a	Working aisle width (Ast) with 1000 x 1200 mm pallets, load crosswise	Ast	(mm)	2286
4.34a	Working aisle width (Ast) with 800 x 1200 mm pallets, load lengthwise	Ast	(mm)	2224
4.35	Turning radius	Wa	(mm)	1450
PERFORMANCE				
5.1	Travel speed, with / without load		km / h	4.5 / 5
5.2	Lifting speed, with / without load		m / s	0.11 / 0.14
5.3	Lowering speed, with / without load		m / s	0.13 / 0.10
5.8	Maximum gradeability with / without load		%	6 / 15
5.10	Service brakes (mechanical / hydraulic / electric / pneumatic)			Electric
ELECTRIC MOTORS				
6.1	Drive motor capacity (60 min. short duty)		kW	0.65
6.2	Lift motor output at 15% duty factor		kW	2.2
6.4	Battery voltage/capacity at 5-hour discharge		V / Ah	24 / 60
6.5	Battery weight		kg	20
MISCELLANEOUS				
8.1	Type of drive control			Stepless
10.7.1	Level of noise at the ear level of the driver according to EN 12 053:2001 and EN ISO 4871, in work LpAZ		dB (A)	70
10.7.2	Whole-body vibration (EN 13 059:2002)			Refer to instruction manual
10.8	Towing coupling, type DIN 15170			Refer to instruction manual

DIMENSIONS PSL12I-Q1



MAST SPECIFICATIONS

MAST TYPE	Lift height (mm)	Lowered mast height (mm)	Initial Lift (mm)	Raised mast height (mm)
	h3	h1	h5	h4
2 STAGE	2500	1872	120	3092
	3000	2122	120	3592
	3300	2272	120	3892

LOAD DERATION

MAST TYPE	Lift height (mm)	Capacity (kg) @ 600mm load centre
Initial lift only		1200
On forks only	2500	1200
On forks only	3000	950
On forks only	3300	700