

Compact Pedestrian Stacker with Double Pallet Handling



TCM

PSL12EI-Q1



TCM Lite Range, streamlined for greater efficiencies and a more sustainable world, without compromising design and engineering excellence.

**Easy to use, simple to maintain.
NO FUSS, NO WASTE.**

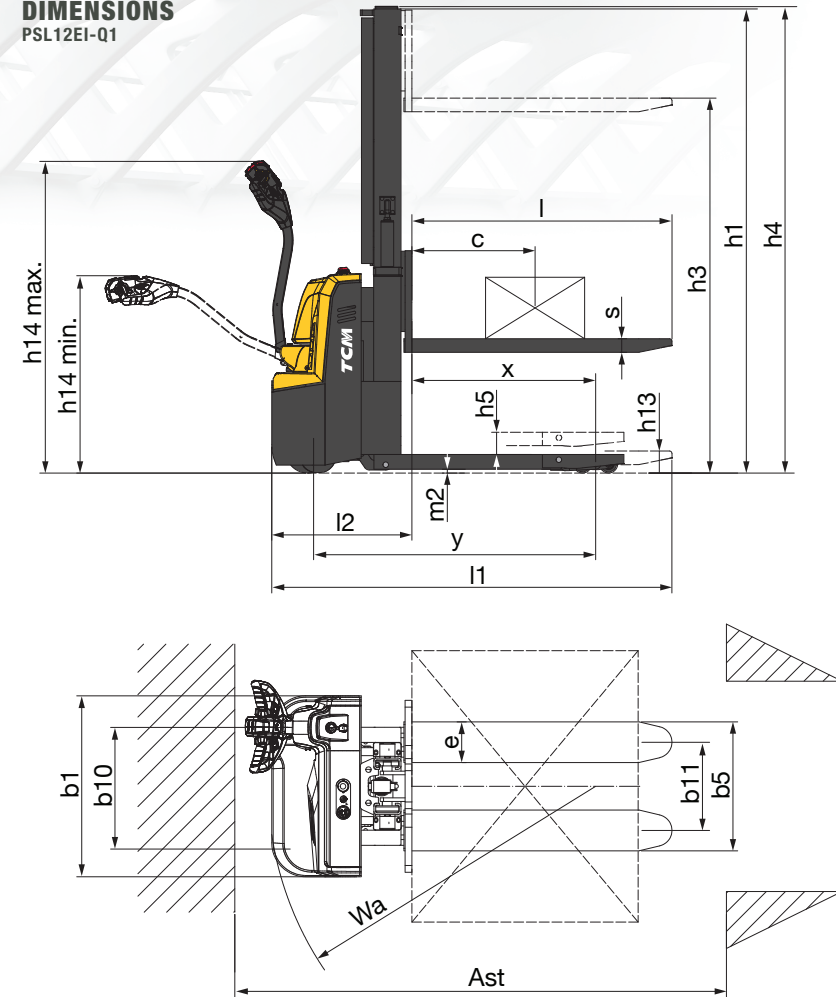
TCM PSL12EI-Q1 with a **robust**, stable frame and body, is compact and small with exceptional manoeuvrability in narrow and tight spaces. A **low maintenance** AC drive motor makes light work of double pallet handling, with **initial lift** increasing ground clearance for ramps, dock levellers and bridges. The high capacity, high power 24V **Li-ION battery** is long-lasting reducing downtime, with swift 'plug and go' charging and **integrated charger** for charging anywhere. A spring-loaded steering tiller with **ergonomic tiller head** for strain-free operation enhances operator comfort. The electromagnetic braking systems, **mono mast** for visibility, creep speed function and battery status indicator, all ensure the operator stays confidently in control.



STANDARD SPECIFICATIONS PRELIMINARY

CHARACTERISTICS			
1.1	Manufacturer		TCM
1.2	Manufacturer's model designation		PSL12EI-Q1
1.3	Power source		Battery
1.4	Operator type		Pedestrian
1.5	Load capacity	Q	kg 1200
1.6	Load center distance	c	(mm) 600
1.8	Load wheel axle to fork face (forks lowered)	x	(mm) 812
1.9	Wheelbase	y	(mm) 1272
WEIGHT			
2.1b	Truck weight without load, with maximum battery weight		kg 685
2.2	Axle loadings with nominal load & maximum battery weight, drive / load side		kg 1190 / 695
2.3	Axle loadings without load & with maximum battery weight, drive / load side		kg 194 / 491
WHEELS, DRIVE TRAIN			
3.1	Tyres: PT = Power Thane, Vul = Vulkollan, P = Polyurethane, N = Nylon, R = Rubber drive / load side		P / P
3.2	Tyre dimensions, drive side	(mm)	195 x 70
3.3	Tyre dimensions, load side	ø (mm)	80 x 70
3.4	Castor wheel dimensions (diameter x width)	(mm)	150 x 60
3.5	Number of wheels, load / drive side (x = driven)		1x + 1 / 4
3.6	Track width (center of tyres), drive side	b10 (mm)	523
3.7	Track width (center of tyres), load side	b11 (mm)	390
DIMENSIONS			
4.2a	Height with mast lowered	h1 (mm)	2050 / 2400
4.4	Lift height	h3 (mm)	1600 / 1950
4.5	Height with mast extended	h4 (mm)	2060 / 2410
4.6	Initial lift	h5 (mm)	120
4.9	Height of tiller arm / steering console (min./max.)	h14 (mm)	1150 / 1430
4.15	Fork height, fully lowered	h13 (mm)	90
4.19	Overall length	l1 (mm)	1770
4.2	Length to fork face	l2 (mm)	619
4.21	Overall width	b1 (mm)	800
4.22	Fork dimensions (thickness, width, length)	s / e / l (mm)	60 / 180 / 1150
4.25	Outside width over forks (minimum / maximum)	b5 (mm)	570
4.32	Ground clearance at center of wheelbase, (forks lowered)	m2 (mm)	17
4.33a	Working aisle width (Ast) with 1000 x 1200 mm pallets, load crosswise	Ast (mm)	2286
4.34a	Working aisle width (Ast) with 800 x 1200 mm pallets, load lengthwise	Ast (mm)	2224
4.35	Turning radius	Wa (mm)	1450
PERFORMANCE			
5.1	Travel speed, with / without load	km / h	4.5 / 5
5.2	Lifting speed, with / without load	m / s	0.06 / 0.13
5.3	Lowering speed, with / without load	m / s	0.13 / 0.10
5.8	Maximum gradeability with / without load	%	6 / 15
5.10	Service brakes (mechanical / hydraulic / electric / pneumatic)		Electric
ELECTRIC MOTORS			
6.1	Drive motor capacity (60 min. short duty)	kW	0.65
6.2	Lift motor output at 15% duty factor	kW	2.2
6.4	Battery voltage/capacity at 5-hour discharge	V / Ah	24 / 60
6.5	Battery weight	kg	20
MISCELLANEOUS			
8.1	Type of drive control		Stepless
10.7.1	Level of noise at the ear level of the driver according to EN 12 053:2001 and EN ISO 4871, drive/lift/idle LpAZ	dB (A)	70
10.7.2	Whole-body vibration (EN 13 059:2002)		Refer to instruction manual
10.7.3	Hand-arm vibration (EN 13 059:2002)		Refer to instruction manual

DIMENSIONS PSL12EI-Q1



MAST SPECIFICATIONS

MAST TYPE	Lift height (mm)	Lowered mast height (mm)	Initial Lift (mm)	Raised mast height (mm)
	h3	h1	h5	h4
SINGLE STAGE	1600	2050	120	2060
	1950	2400	120	2410

LOAD DERATION

MAST TYPE	Lift height (mm)	Capacity (kg) @ 600mm load centre
		PSL12EI-Q1
Double stacker	1600	600 / 600
On forks only	1600	1200
Initial lift only	1600	1200
Double stacker	1950	600 / 600
On forks only	1950	1200
Initial lift only	1950	1200

tcm.eu

Mitsubishi Logisnext Europe BV reserves the right to make any changes without notice concerning colours, equipment or specifications detailed in this brochure, or to discontinue individual models. The colours of vehicles delivered may differ slightly from those in this brochure. The specifications vary for different countries depending on local market conditions. Please consult your local dealer to ensure that the vehicle delivered accords with your expectations. All values are determined based on the standard condition and may vary, due to motor and system tolerances, condition of the truck and operational conditions. Some equipment shown on photos are optional. WEST2425-0124