



COMBiLiFT

C2500-C3000

Customised Handling Solution



three machines in one

Counterbalance Forklift > Aisle Truck > Side Loader

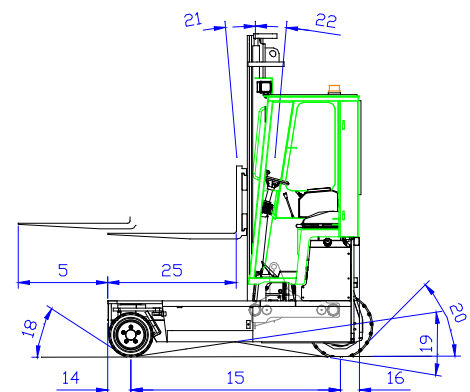
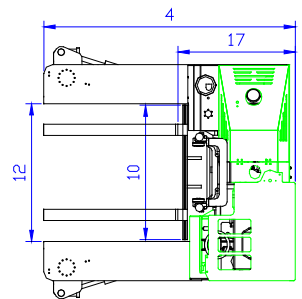
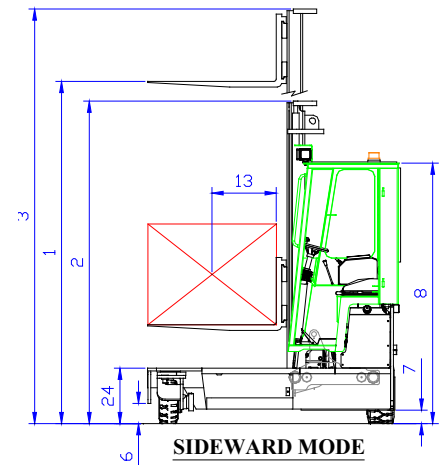
www.COMBiLiFT.com



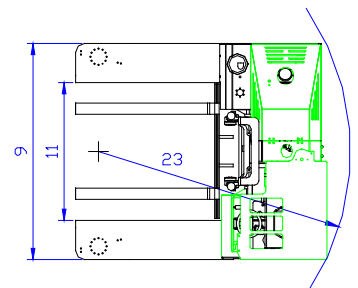
SPECIFICATIONS

MODEL C2500-C3000

REF	DESCRIPTION	C2500	C3000
1a	Standard Lift Height		4040 mm
1b	Free Lift Height		0mm
2	Height Mast Closed		2655mm
3	Max. (Mast Raised)		4760mm
4	Overall Length	1900mm	2250mm
5	Mast Travel	850mm	1200mm
6	Ground Clearance Under Mast		150mm
7	Ground Clearance to Wheelbase Centre		135mm
8	Height Over Cab or of Overhead Guard		2345mm
9	Width		1930mm
10	Outside Spread of Fork Arms		1200mm
11	Track Front		1730mm
12	Frame Opening		1230mm
13	Load Centre Distance		600mm
14	Overhang Front		205mm
15	Wheel Base	1528mm	1878mm
16	Overhang Back		167mm
17	Length from Face of Fork		1100mm
18	Approach Angle		45 °
19	Ramp Angle		17°
20	Departure Angle		45 °
21	Forward Tilt		2°
22	Backward Tilt		4 °
23	Minimum Outside Radius	1905mm	2200mm
24	Platform Height		495mm
25	Platform Length	800mm	1150mm
A	Capacity	2500kg	3000kg
B	Unladen Weight	4500kg	4900kg
C	Maximum Ground Speed		14km/h
D	Gradeability		10%
E	Kubota V1505-T Diesel/ 3 ltr GM LPG		32kW/ 48kW
F	Electric's		12 Volt
G	Fork Sections 50mm x 150mm x	800mm	1150mm
H	16 x 7 - 10.5 Front Tyre (Solid)		OD406mm / Width 178mm
I	23 x 10-12 Rear Tyre (Super Elastic)		OD 720mm/ Width 295mm
J	Standard Colour		Green and Grey
K	Suspension Seat		KAB Model 211



FRONTAL MODE



FEATURES INCLUDE:

- Rubber Mounted Half Open Cabin
- Multi-Direction Operation
- 3 Wheel Hydrostatic Drive
- Load Sensing Steering
- 4 Way Lever Positioning of Wheels
- Hydraulic Oil Cooler

Distributed by:

COMBiLiFT

Co. Monaghan
Ireland

T: +353 47 80500

F: +353 47 80501

E: info@combilift.com

www.COMBiLiFT.com



COMBiLiFT

Customised Handling Solutions

C3500-C4500



Inside of Cabin



Optional LP Gas Bottle



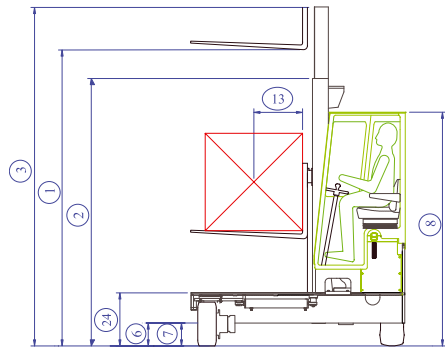
three machines in one

> counterbalance forklift > sideloader > aisle truck

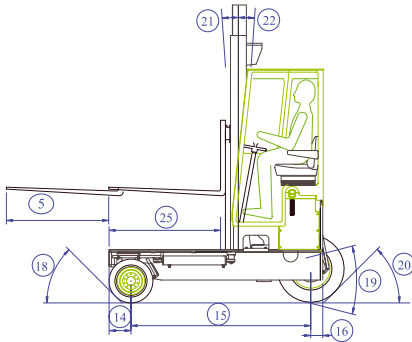
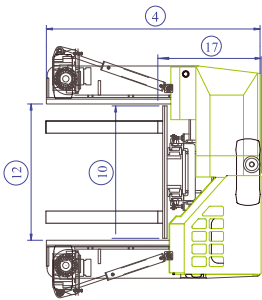


SPECIFICATIONS

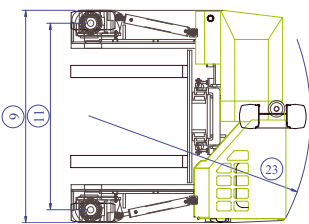
Model C3500-C4500



SIDEWARD MODE



FRONTAL MODE



REF	DESCRIPTION	C3500	C4000	C4500
1a	Max. Lift Height		4040mm	
1b	Free Lift Height		0mm	
2	Height Mast Closed		2855mm	
3	Max. (Mast raised)		4870mm	
4	Overall Length	1950mm	2300mm	2500mm
5	Mast Travel	900mm	1250mm	1400mm
6	Ground Clearance Under Mast		150mm	
7	Ground Clearance to Wheelbase Centre		200mm	
8	Height Over Cab or of Overhead Guard		2435mm	
9	Width		2190mm	
10	Outside Spread of Fork Arms		1350mm	
11	Track Front		1980mm	
12	Frame Opening		1400mm	
13	Load Centre Distance	450mm	600mm	600mm
14	Overhang Front		245mm	
15	Wheel Base	1565mm	1915mm	2115mm
16	Overhang Back		140mm	
17	Length From Face of Fork	1100mm	1100mm	1150mm
18	Approach Angle		45°	
19	Ramp Angle		29°	
20	Departure Angle		45°	
21	Forward Tilt		3°	
22	Backward Tilt		5°	
23	Minimum Outside Radius	1950mm	2260mm	2490mm
24	Platform Height		545mm	
25	Platform Length	850mm	1200mm	1350mm
A	Capacity	3500Kg	4000Kg	4500Kg
B	Unladen Weight	5400Kg	6300Kg	6800Kg
C	Maximum Ground Speed		15 km/h	
D	Gradability		15%	
E	V2003 T Kubota Diesel / 3 ltr. GM LPG		44KW / 48KW	
F	Electric's		12 Volt	
G	Fork Section	50x150x850mm	50x150x1200mm	50x150x1350mm
H	200/50 x 10 Front Tyre		OD 450mm/Width 200mm	
I	27 x 10-12 Rear Tyre		OD 680mm/Width 255mm	
J	Standard Colour		Green and Grey	
K	Suspension Seat		KAB Model 116	

Distributed by

FEATURES INCLUDE:

- Rubber Mounted Half Open Cabin
- Multi-Direction Operation
- Load Sensing Steering
- 3 Wheel Hydrostatic Drive
- 4-Way Lever Positioning of Wheels
- Hydraulic Oil Cooler

www.COMBiLiFT.COM

Combilift Ltd., Co. Monaghan, Ireland

Tel: +353 47 80500

Fax: +353 47 80501

info@combilift.com

COMBiLiFT has a policy of continuous product development and reserves the right to alter specifications without prior notice. Specifications and / or dimensions may vary from those illustrated in some countries.



COMBiLiFT

C4000E

Customised Handling Solution



New Display Including Wheel Position



Deep Suspension Seat



three machines in one

Counterbalance Forklift > Aisle Truck > Side Loader

Patent Pending : GB1302811.3

www.COMBiLiFT.com

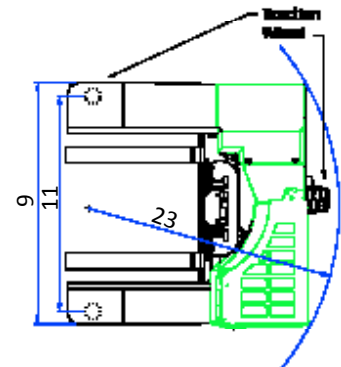
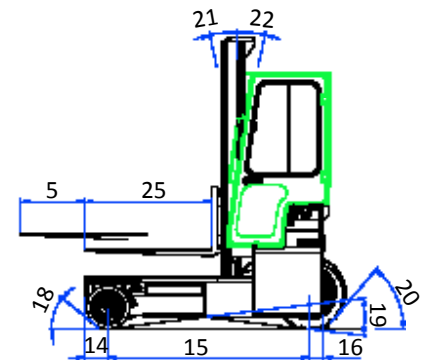
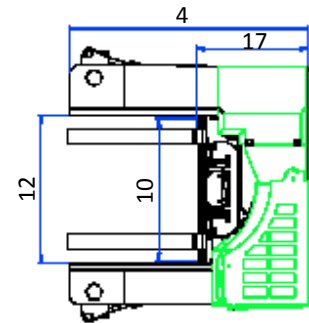
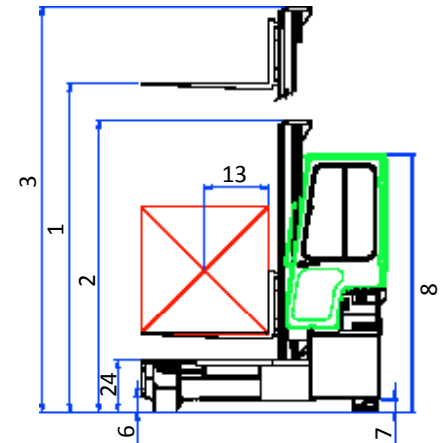


SPECIFICATIONS

MODEL C4000E

Available 3,000 kg to 5,000 kg

REF	DESCRIPTION	C4000 E
1a	Max. Lift Height	4040mm
1b	Freelift Height	0mm
2	Height Mast Closed	2855mm
3	Max. (Mast raised)	4870mm
4	Overall Length	2300mm
5	Mast Travel	1300mm
6	Ground Clearance Under Mast	150mm
7	Ground Clearance to Centre of Wheelbase	180mm
8	Height Over Cab (Without work - lights)	2380mm
9	Width	2270mm
10	Outside Spread of Fork Arms	1350mm
11	Track Front	2020mm
12	Frame Opening	1400mm
13	Load Centre Distance	600mm
14	Overhang Front	220mm
15	Wheelbase	1895mm
16	Overhang Back	135mm
17	Length From Face of Fork	1100mm
18	Approach Angle	45°
19	Ramp Angle	17°
20	Departure Angle	45°
21	Forward Tilt	3°
22	Backward Tilt	5°
23	Minimum Outside Radius	1785mm
24	Platform Height	470mm
25	Platform Length	1200mm
A	Capacity	4000kg
B	Unladen Weight	6650kg
C	Maximum Ground Speed	10km/h
D	Gradability	10%
E	Battery Capacity (V / Ah)	80V / 625 Ah
F	Fork Section	50mm x 150mm x 1200mm
G	405/220-305 Front Tyres (Solid Rubber)	OD 405mm / Width 220mm
H	27 x 10-12 Rear Tyre	OD 680mm / Width 255mm
I	Standard Colour	Green & Grey
J	AC Electric Traction Motor x 2	80v / 5kW
K	AC Electric Pump Motor	80V / 19kW



FEATURES INCLUDE:

- Rubber Mounted Cabin
- AC Motor Technology
- Multi-Direction Operation
- Load Sensing Steering
- Curtis AC Software
- 4 Way Lever Positioning of Wheels
- 2 Wheel Drive

Distributed by:

COMBiLiFT

Co. Monaghan
Ireland

T: +353 47 80500

F: +353 47 80501

E: info@combilift.com

www.COMBiLiFT.com



COMBiLiFT

C5000 XL

Customised Handling Solution



Wider Cab for increased Operator Comfort



three machines in one

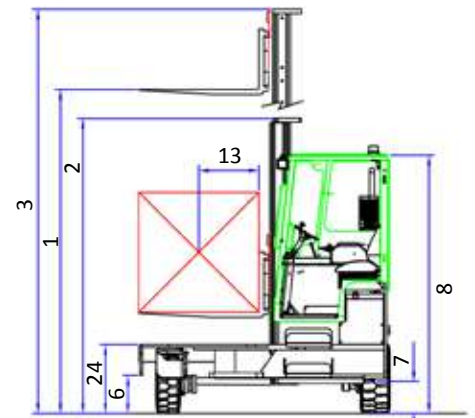
Counterbalance Forklift > Aisle Truck > Side Loader



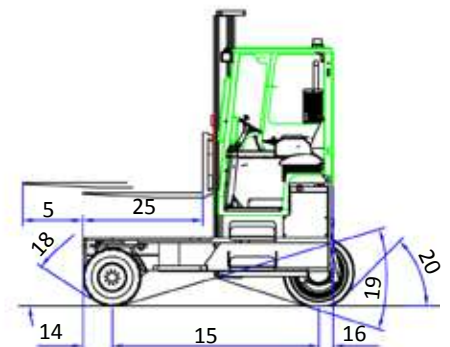
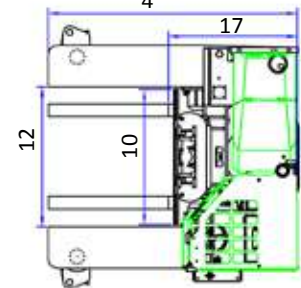
SPECIFICATIONS

MODEL C5000 XL

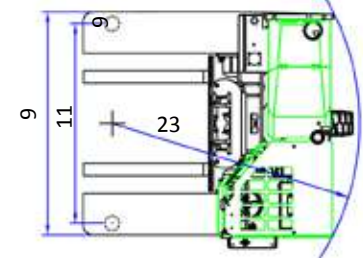
REF	DESCRIPTION	Standard
1a	Standard Lift Height	4040 mm
1b	Free Lift Height	0mm
2	Height Mast Closed	2990mm
3	Max. (Mast Raised)	5005mm
4	Overall Length	2500mm
5	Mast Travel	1340mm
6	Ground Clearance Under Mast	280mm
7	Ground Clearance to Wheelbase Centre	270mm
8	Height Over Cab or of Overhead Guard	2590mm
9	Width	2235mm
10	Outside Spread of Fork Arms	1350mm
11	Track Front	1995mm
12	Frame Opening	1400mm
13	Load Centre Distance	600mm
14	Overhang Front	290mm
15	Wheel Base	2070mm
16	Overhang Back	140mm
17	Length from Face of Fork	1300mm
18	Approach Angle	45 °
19	Ramp Angle	29 °
20	Departure Angle	45 °
21	Forward Tilt	3 °
22	Backward Tilt	5 °
23	Minimum Outside Radius	2490mm
24	Platform Height	680mm
25	Platform Length	1200mm
A	Capacity	5000kg
B	Unladen Weight	6800kg
C	Maximum Ground Speed	15km/h
D	Gradeability	15%
E	Kubota V2403 T Diesel/ 3 ltr GM LPG	44kW/ 48kW
F	Electric's	12 Volt
G	Fork Section	50 x 150 x 1200mm
H	23 x 10-12 Front Tyre	OD 580mm / Width 240mm
I	28 x 12.5 - 15 Rear Tyre	OD 720mm/ Width 295mm
J	Standard Colour	Green and Grey
K	Suspension Seat	KAB Model 116



SIDEWARD MODE



FORWARD MODE



FEATURES INCLUDE:

- Rubber Mounted Half Open Cabin
- Multi-Direction Operation
- 3 Wheel Hydrostatic Drive
- Load Sensing Steering
- 4 Way Lever Positioning of Wheels
- Hydraulic Oil Cooler

Distributed by

COMBiLiFT

Co. Monaghan
Ireland

T: +353 47 80500

F: +353 47 80501

E: info@combilift.com

www.COMBiLiFT.com



COMBiLiFT

C6000-C8000

Customised Handling Solution



three machines in one

Counterbalance Forklift > Aisle Truck > Side Loader

www.COMBiLiFT.com



SPECIFICATIONS

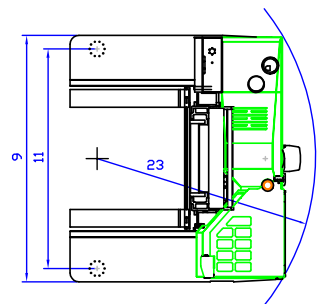
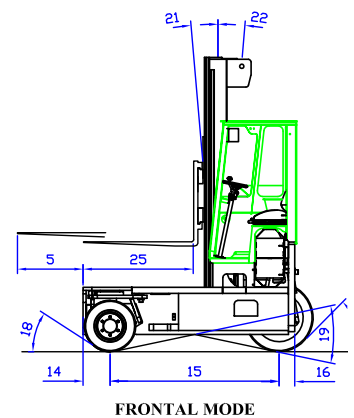
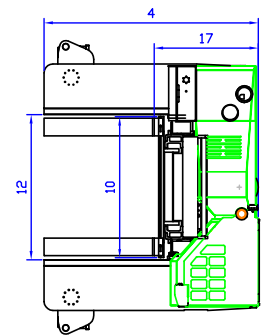
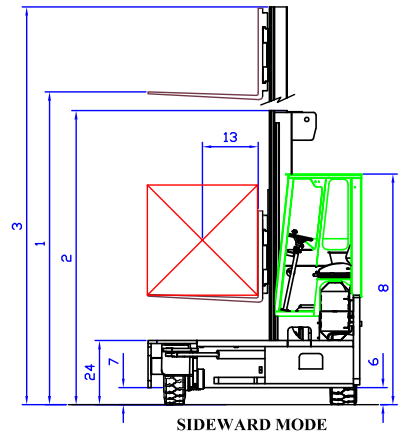
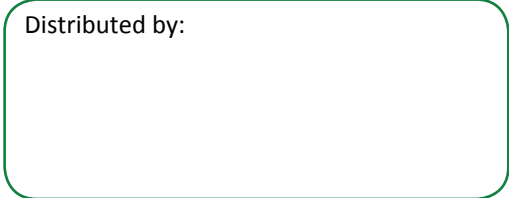
MODEL C6000-C8000

REF	DESCRIPTION	C6000	C8000
1a	Standard Lift Height		4536 mm
1b	Free Lift Height		0mm
2	Height Mast Closed		3430mm
3	Max. (Mast Raised)		5931mm
4	Overall Length	2430mm	2670mm
5	Mast Travel	1290mm	1530mm
6	Ground Clearance Under Mast		290mm
7	Ground Clearance to Wheelbase Centre		165mm
8	Height Over Cab or of Overhead Guard		2590mm
9	Width		2800mm
10	Outside Spread of Fork Arms		1600mm
11	Track Front		2500mm
12	Frame Opening		1650mm
13	Load Centre Distance		600mm
14	Overhang Front		307mm
15	Wheel Base	1915mm	2155mm
16	Overhang Back		208 mm
17	Length from Face of Fork		1180mm
18	Approach Angle		45 °
19	Ramp Angle		29 °
20	Departure Angle		45 °
21	Forward Tilt		3 °
22	Backward Tilt		5 °
23	Minimum Outside Radius	2540 mm	2765 mm
24	Platform Height		750mm
25	Platform Length	1250mm	1490mm
A	Capacity	6000kg	8000kg
B	Unladen Weight	10430kg	10950kg
C	Maximum Ground Speed		15km/h
D	Gradeability		15%
E	Diesel / LPG Water Cooled Engine		72kW/ 72kW
F	Electric's		12 Volt
G	Fork Sections 50mm x 200mm x	1250mm	1490mm
H	23 x 10 - 12 Front Tyre		OD580mm / Width 240mm
I	400 / 60 - 15 Rear Tyre		OD 825mm/ Width 326mm
J	Standard Colour		Green and Grey
K	Suspension Seat		KAB Model 211

FEATURES INCLUDE:

- Rubber Mounted Half Open Cabin
- Multi-Direction Operation
- 3 Wheel Hydrostatic Drive
- Load Sensing Steering
- 4 Way Lever Positioning of Wheels
- Hydraulic Oil Cooler

Distributed by:



COMBiLiFT

Co. Monaghan
Ireland

T: +353 47 80500

F: +353 47 80501

E: info@combilift.com

www.COMBiLiFT.com



COMBiLiFT

Customised Handling Solutions

C10,000 - C12,000

making short work of long loads



forward/reverse mode



carousel mode



sideward mode



three machines in one

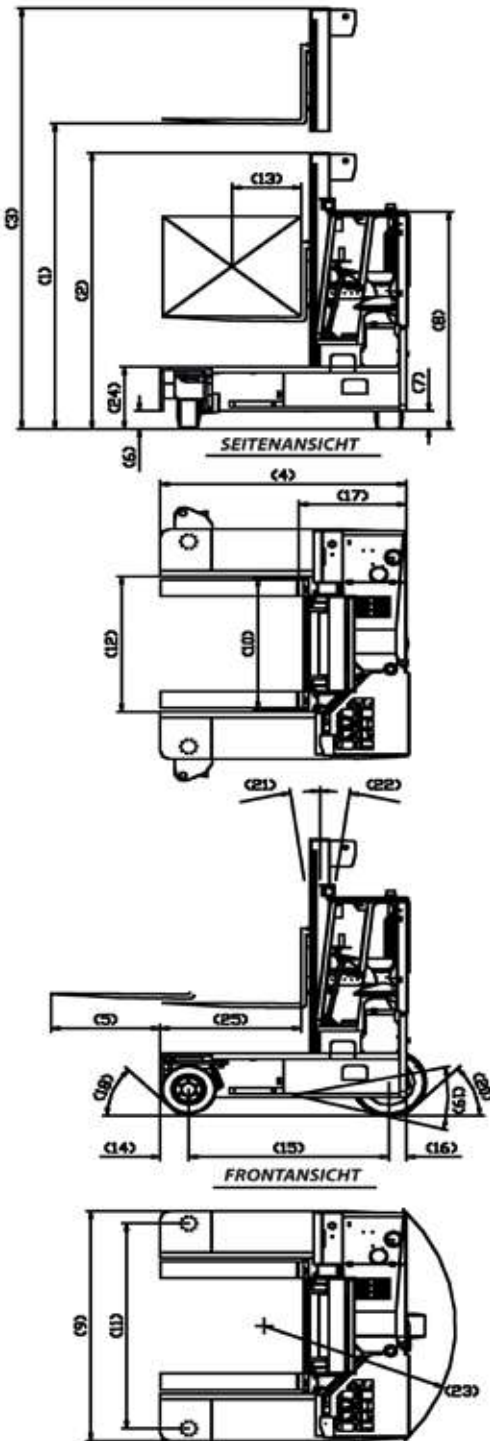
- counterbalance forklift - sideloader - aisle truck

www.COMBiLiFT.COM



SPECIFICATIONS

Model C10,000 - C12,000



REF	DESCRIPTION	C10,000	C12,000
1a	Max. Lift Height	4100mm	
1b	Free Lift Height	0mm	
2	Height Mast Closed	3450mm	
3	Max.(Mast raised)	5800mm	
4	Overall Length	3070mm	
5	Mast Travel	3070mm	
6	Ground Clearance Under Mast	290mm	
7	Ground Clearance to Center of Wheelbase	165mm	
8	Height of Cab	2590mm	
9	Width	2800mm	
10	Outside Spread of Fork Arms	1600mm	
11	Track Front	2500mm	
12	Frame Opening	1650mm	
13	Load Center Distance	600mm	
14	Overhang Front	307mm	
15	Wheel Base	2555mm	
16	Overhang Back	208mm	
17	Length From Face of Fork	1380mm	
18	Approach Angle	45°	
19	Ramp Angle	29°	
20	Departure Angle	45°	
21	Forward Tilt	3°	
22	Backward Tilt	5°	
23	Minimum Outside Radius	3120mm	
24	Platform Height	770mm	
25	Platform Length	1690mm	
A	Capacity	10,000kg	12,000 kg
B	Unladen Weight	14,000kg	14,200kg
C	Maximum Ground Speed	14 km/h	
D	Gradability	15%	
E	Kubota V3300-TE Diesel/ 4.3ltr GM LPG	62kW / 72kW	
F	Electric's	12 Volt	
G	Fork Section	65 x 200 x 1690	
H	22x12x16 Front Tyre (Solid Rubber)	OD560 / Width305	
I	840 / 350-559 Rear Tyre (Solid Rubber)	OD840 / Width350	
J	Standard Color	Green & Grey	
K	Suspension Seat	KAB Model 211	

FEATURES INCLUDE:

- Rubber Mounted Half Cabin with Top, Front, Side and Rear Glass
- Multi – Direction Operation
- 3 Wheel Hydrostatic Drive
- Load Sensing Steering
- 4 way lever Positioning of Wheels
- Hydraulic Oil Cooler

Compare the options

	Outside	Inside	4-Way
COMBiLiFT	✓	✓	✓
4-Way Electric	×	✓	✓
Counterbalance	✓	✓	×
Side Loader	✓	×	×

Distributed By

COMBiLiFT Ltd
Co.Monaghan
Ireland
Tel: ++ 353 47 80500
Fax: ++ 353 47 80501
info@combilift.com



COMBiLiFT

C14,000

Customised Handling Solutions



three machines in one

Counterbalance Forklift > Aisle Truck > Side Loader

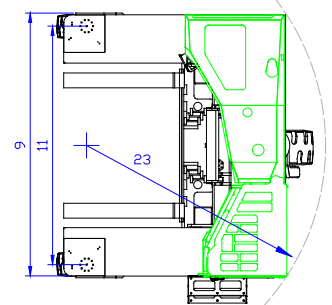
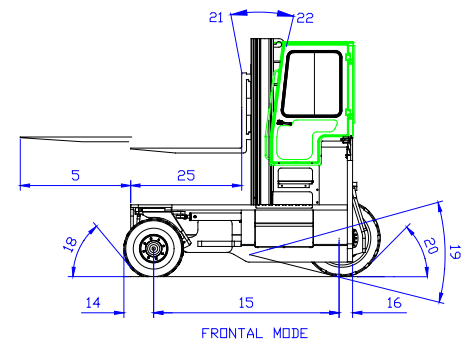
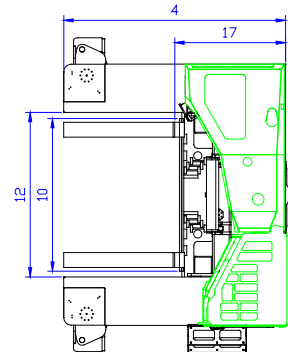
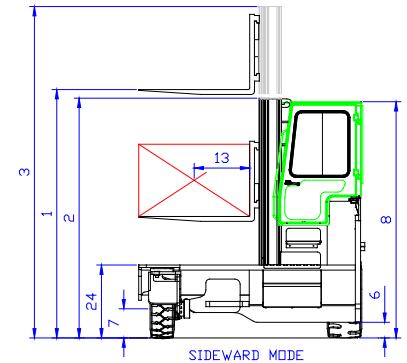
www.COMBiLiFT.com



SPECIFICATIONS

MODEL C14,000

REF	DESCRIPTION	STANDARD 2011 MODEL
1a	Max. Lift Height	4100mm
1b	Freelift Height	0mm
2	Height Mast Closed	3450mm
3	Max. (Mast raised)	5800mm
4	Overall Length	2990mm
5	Mast Travel	1650mm
6	Ground Clearance Under Mast	305mm
7	Ground Clearance to Centre of Wheelbase	330mm
8	Height Over Cab (Without work - lights)	3350mm
9	Width	3510mm
10	Outside Spread of Fork Arms	2050mm
11	Track Front	3040mm
12	Frame Opening	2210mm
13	Load Centre Distance	600mm
14	Overhang Front	467mm
15	Wheelbase	2315mm
16	Overhang Back	208mm
17	Length From Face of Fork	1500mm
18	Approach Angle	45°
19	Ramp Angle	29°
20	Departure Angle	45°
21	Forward Tilt	4°
22	Backward Tilt	8°
23	Minimum Outside Radius	3160mm
24	Platform Height	980mm
25	Platform Length	1490mm
A	Capacity	14000kg
B	Unladen Weight	16500kg
C	Maximum Ground Speed	15km/h
D	Gradability	15%
E	John Deere 4045 diesel engine	93kW (125hp)
F	Electrics	12 Volt
G	Fork Section	65mm x 250mm x 1490mm
H	400 / 55 – 15 Front Tyre	OD 825mm / Width 326mm
I	465 / 55 - 20 Rear Tyre	OD 1016mm / Width 457mm
J	Standard Colour	Green & Grey
K	Suspension Seat	KAB Model 211



FEATURES INCLUDE:

- Rubber Mounted Cabin
- Multi-Direction Operation
- 3 Wheel Hydrostatic Drive
- Load Sensing Steering
- 4 Way Lever Positioning of Wheels
- Hydraulic Oil Cooler

Distributed by:

COMBiLiFT

Co. Monaghan
Ireland

T: +353 47 80500

F: +353 47 80501

E: info@combilift.com

www.COMBiLiFT.com



COMBiLiFT

Customised Handling Solutions

C25,000

Multi-Directional Forklift



*Designed to Handle Heavy,
Long and Awkward Loads.*

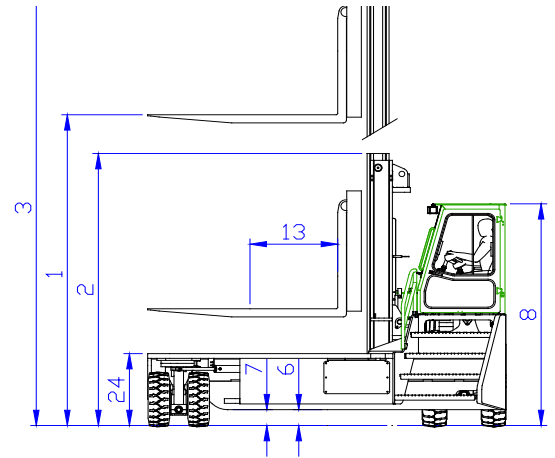
www.COMBiLiFT.com



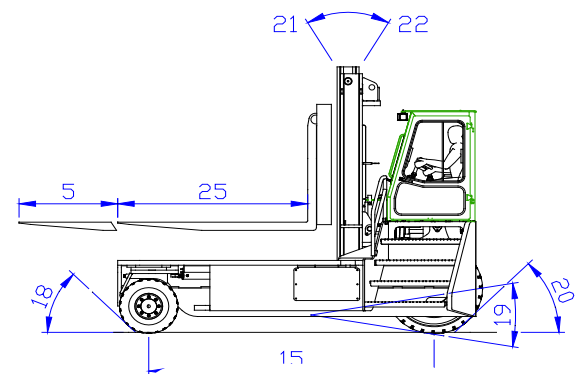
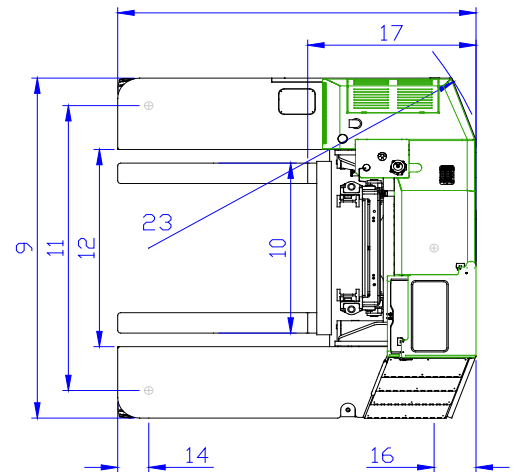
SPECIFICATIONS

MODEL C25,000

REF	DESCRIPTION	STANDARD
1 a	Max. Lift Height	4120mm
1 b	Free Lift Height	0mm
2	Height Mast Closed	4000mm
3	Max.(Mast raised)	6000mm
4	Overall Length	4900mm
5	Mast Travel	2700mm
6	Ground Clearance Under Mast	280mm
7	Ground Clearance to Centre of Wheelbase	200mm
8	Height Over Cab (without work-lights)	3200mm
9	Width	5000mm
10	Outside Spread of Fork Arms	2400mm
11	Track Front	4200mm
12	Frame Opening	2900mm
13	Load Centre Distance	1200mm
14	Overhang Front	400mm
15	Wheel Base	3910mm
16	Overhang Back	590mm
17	Length From Face of Fork	2300mm
18	Approach Angle	45°
19	Ramp Angle	20°
20	Departure Angle	45°
21	Forward Tilt	4°
22	Backward Tilt	8°
23	Minimum Outside Radius	4600mm
24	Platform Height	1060mm
25	Platform Length	2600mm
A	Capacity	25,000 kg
B	Unladen Weight	35,000 kg
C	Maximum Ground Speed	19 Km/h
D	Gradeability	10%
E	John Deere Diesel 6068HF	127 kW (170HP)
F	Electric's	12 Volt
G	Fork Section	120 x 300 x 2600mm
H	14.00 – 24 Rear Tyre (Super Elastic) x 2	OD 1313mm / Width 405mm
I	355/65-15 Front Tyre (Super Elastic) x 4	OD 823mm / Width 355mm
J	Standard Colour	Green and Grey
K	Suspension Seat	KAB Model 116



SIDEWARD MODE



FORWARD MODE

COMBiLiFT

Co. Monaghan
Ireland

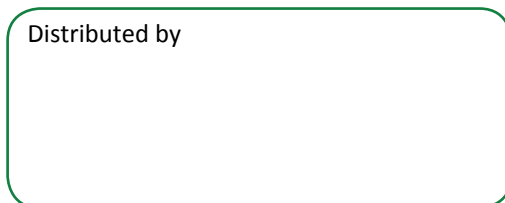
T: +353 47 80500

F: +353 47 80501

E: info@combilift.com

www.COMBiLiFT.com

Distributed by



FEATURES INCLUDE:

- Hydraulic Mounted Cabin
- Multi-Direction Operation
- 4 Wheel Hydrostatic Drive
- +/- 150mm Integrated Side-shift
- 4 Way Lever Positioning of Wheels
- Hydraulic Fork Positioner
- Hydraulic Oil Cooler

Well done you have found the mystery egg!
But you might not be the first...



Click me for details on how to claim your prize
unless someone has beat you to it...